

SHAPE 40

Product Specification Sheet

Shape 40 is the most compact studio monitor in the Focal Professional line, and the perfect solution for nearfield monitoring. These monitors can be used from 23" away (60cm), and they have astonishingly extended low end frequency response. Whether you have a room of less than 107ft² (10m²), or an installation where compactness is paramount, Shape 40 is the perfect solution.



Key points

- Low tweeter directivity for a flexible listening position
- Designed without a port allowing it to be placed near a wall
- Numerous settings for optimal integration
- Accurate control, even in the very high end
- Flax sandwich cone: controlled and articulated bass, natural and detailed lower mid-range and upper mid-range registers.
- Threads for ceiling and wall mounts (fastening accessories not supplied)

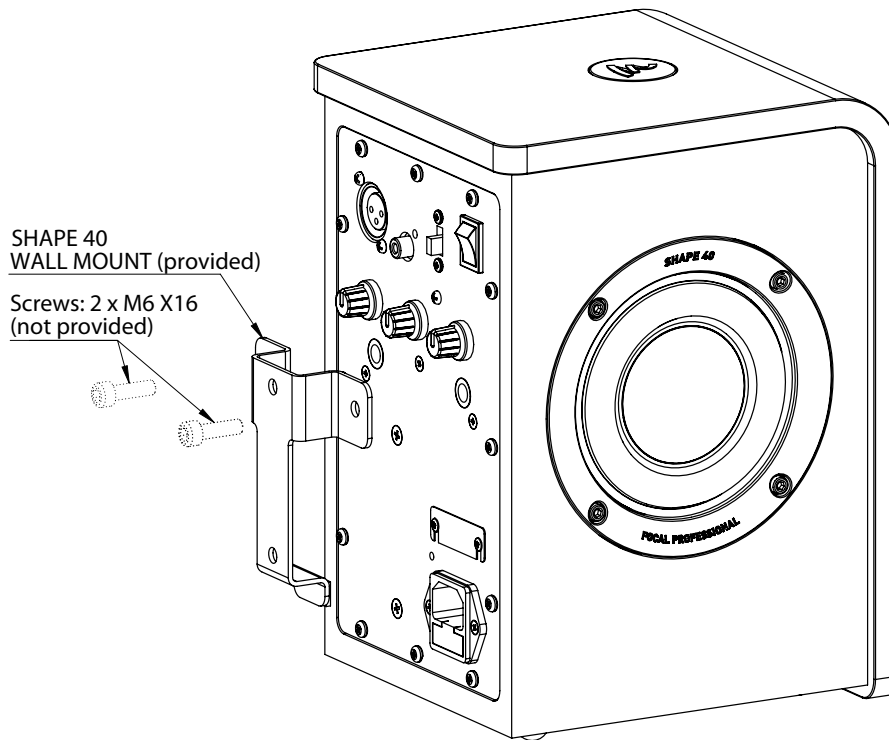
| System | | SHAPE 40 |
|--|----------------------------|--|
| • Frequency response (+/-3dB) | | 60Hz - 35kHz |
| • Maximum SPL (musical signal) | | 102dB SPL (peak @ 1m) |
| Electronic section | | |
| • Inputs/ Impedance | Type | XLR: balanced 10kOhms |
| | Connectors | RCA: unbalanced 10kOhms with sensitivity compensation |
| • Midrange and low frequency amplifier | | 25W, class AB |
| • High frequency amplifier | | 25W, class AB |
| • Automatic standby | Standby on | After approximately 30 minutes with no signal |
| | Standby off | Signal detection > 3 mV |
| • Electrical supply | Voltages | 220-240V (T500mA / 250V fuse) or 100-120V (T1.6AL / 250V fuse) |
| | Connection | IEC plug and detachable power cord |
| • Settings | High pass filter | Adjustable Full range / 80Hz |
| | Bass (0 - 250Hz) | Adjustable, +/-6dB |
| | Midrange/bass (160Hz, Q=1) | Adjustable, +/-3dB |

| • Settings | High (4.5 - 35kHz) | Adjustable, +/-3dB |
|--|--------------------|--|
| | Power On/Power Off | On/off switch on rear panel |
| • Standby consumption | | < 0.5W |
| • Displays and controls | | LED for power on/off and standby |
| Transducers | | |
| • Woofer | | 4" (10cm) Flax Cone |
| • Tweeter | | 1" (25mm) 'M' profile Aluminum-Magnesium |
| Cabinet | | |
| • Construction | | 0.5" (12mm) MDF |
| • Finish | | Vinyl, real walnut and black painting |
| • Dimensions with four rubber feet (HxWxD) | | 10.1 x 6.3 x 7.9" (257 x 161 x 200mm) |
| • Weight | | 16.1lb (5kg) |

SHAPE 40

Recommended mounting kits

| | SHAPE 40 |
|--------------------------------|-----------------------|
| Wall mount | K&M® Fixing kit 24471 |
| Ceiling mount | K&M® Fixing kit 24496 |
| Table stand / microphone stand | K&M® Fixing kit 232 |



Screw: BSW 0^{3/8}"

