

# ROKIT 5 GENERATION FIVE

## SPECIFICATION DATA SHEET



### ACTIVE 5" TWO-WAY STUDIO REFERENCE MONITOR

- **3 VOICING MODES**  
*MIX – FOCUS - CREATE*
- **25 BOUNDARY AND TUNING EQs**  
*Tune for studio acoustic conditions*
- **NEW KRK TRANSDUCER DESIGNS**  
*Optimized for improved response and accuracy*
- **BI-AMP CLASS D AMPLIFICATION**  
*Power and headroom for excellent dynamics reproduction*



Elevate your audio production to new heights with KRK Systems' Rokit Generation Five product line that caters to the diverse needs of musicians, producers, and sound engineers worldwide. Whether you're working on a chart-topping hit, a film score, or a personal project, KRK Systems Rokit Generation Five monitors provide the tools you need to capture every nuance of your sound with astonishing clarity. Rokit Generation Five has three very useful voicing modes. Mix Mode, with flat frequency and phase response, is best for mixing, mastering, and critical listening. Create Mode is a more inspirational voicing best used for writing, producing, and casual listening. Focus Mode is a mid-focused voicing for critical analysis of the midrange band where vocals and most instruments have the most energy. They feature 25 boundary and tuning EQ combinations that help minimize and correct problems in your acoustic environment and woven Kevlar® aramid fiber cone woofers for superior damping and modal breakup control. The tweeters benefit from a highly damped acoustic silk dome diaphragm to smoothly extend the frequency range up to 40 kHz. For maximum transient response and dynamics reproduction, bi-amplified Class D power amplifiers drive the transducers evenly and more efficiently at reduced operating temperatures to ensure audio integrity during long work sessions.

#### SPECIFICATIONS - TABULAR

Configuration	2-Way Bass Reflex
System Type	Active Studio Monitor
Low-Frequency Driver	Woofer, 5-inch, woven Kevlar® aramid fiber cone, ferrite magnet
High-Frequency Driver	Tweeter, 1-inch, Silk Dome, Copper Cap, ferrite magnet
Frequency Response (+/- 3 dB)	54 Hz – 30 kHz
Frequency Range (+3/-10 dB)	43 Hz – 40 kHz
Crossover Frequency	2.27 kHz
Amplifier Configuration	Bi-amplified (Class D)
HF Amp Power Output*	20 Watts
LF Amp Power Output*	35 Watts
Total Power*	55 Watts
Total Dynamic Power Output**	130 Watts
Max SPL***	104 dB
Coverage Angles****	155° Horizontal x 126° Vertical
Analog Input Connector	Balanced XLR / 1/4" TRS Combo
Input Impedance	5.12kΩ Balanced
SNR (Signal to Noise Ratio)	>101.5 dB (Low Sensitivity setting, balanced), >94 dB (High Sensitivity, unbalanced)
AC Input Voltage	100 – 240VAC (+/- 10%), 50/60 Hz
Fuse Type	5x20 mm T1A 250V
Enclosure Construction	PVC Vinyl Wrapped MDF
Baffle Construction	Structurally Reinforced High Impact Polystyrene
Product Dimensions (H x W x D)	11.34" (288 mm) x 7.52" (191 mm) x 9.53" (242 mm)
Packaged Dimensions (H x W x D)	15.75" (400 mm) x 10.24" (260 mm) x 12.6" (320 mm)
Product Weight	10.91 lbs. (4.95 Kg.)
Packaged Weight	14.33 lbs. (6.5 Kg.)
Optional Accessories	KRKSTDX68W1 Mounting Bracket and KRKSTDX4A1 35 mm Mounting Adapter

\* Rated Amplifier Power Output is measured at 1% THD+N

\*\* Rated Dynamic Power Output is measured as instantaneous peak power at 10% THD+N

\*\*\* Max SPL is calculated as a function of the driver sensitivity (1W @ 1M) and the Dynamic Power rating

\*\*\*\* Coverage Angles are averaged -6 dB down points from 900 Hz to 9 kHz

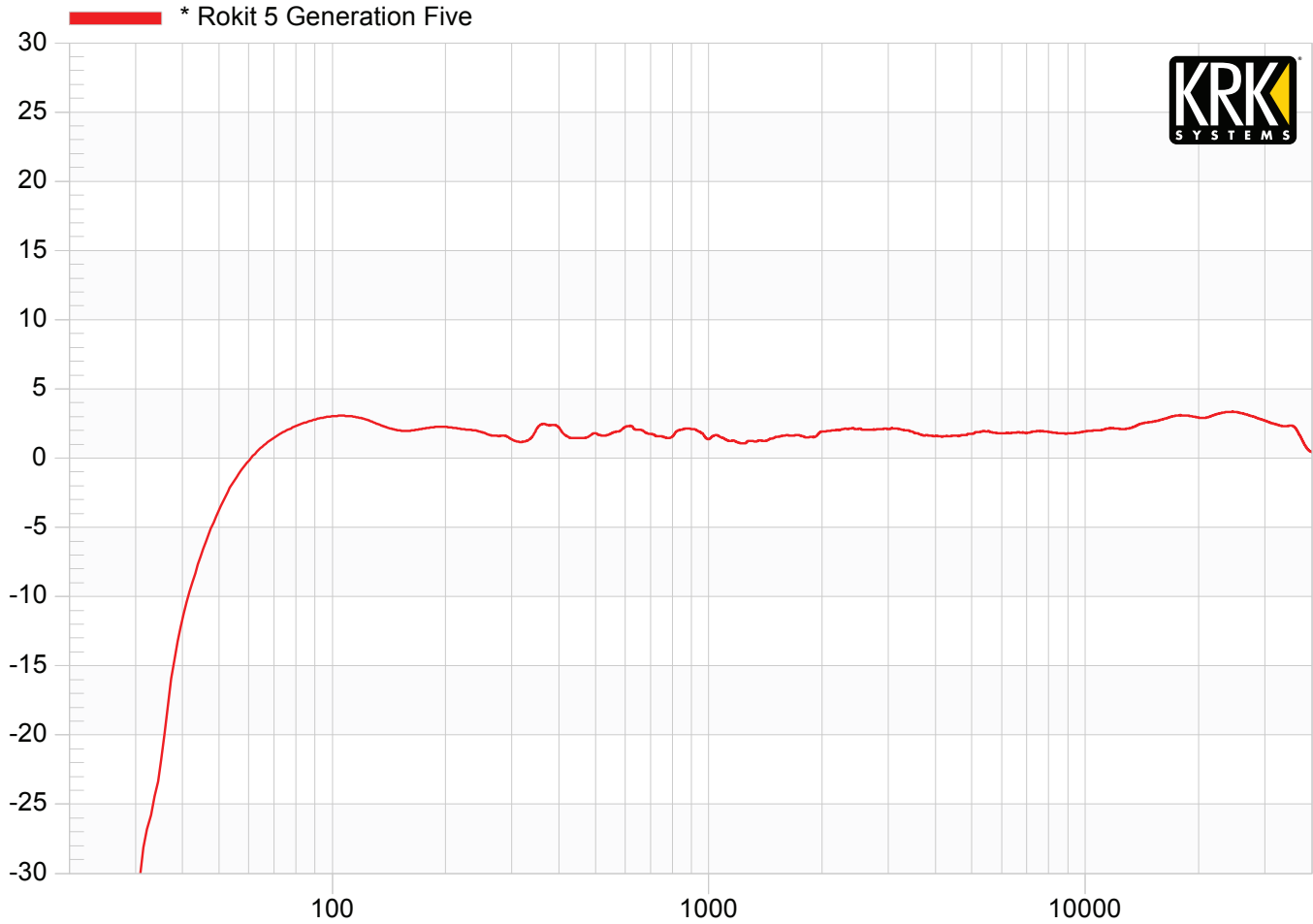
# ROKIT 5 GENERATION FIVE

## SPECIFICATION DATA SHEET

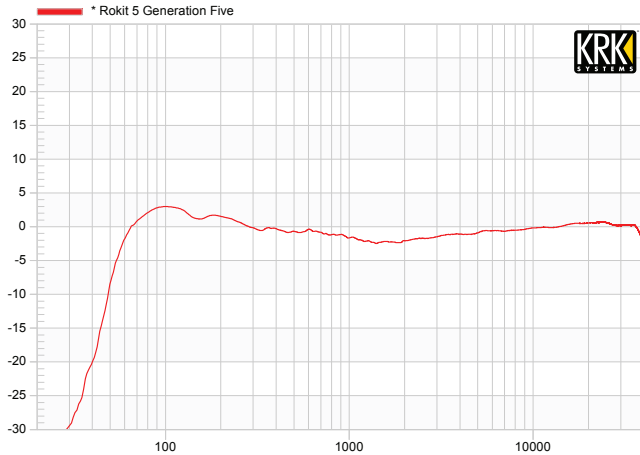


### SPECIFICATIONS - GRAPHICAL

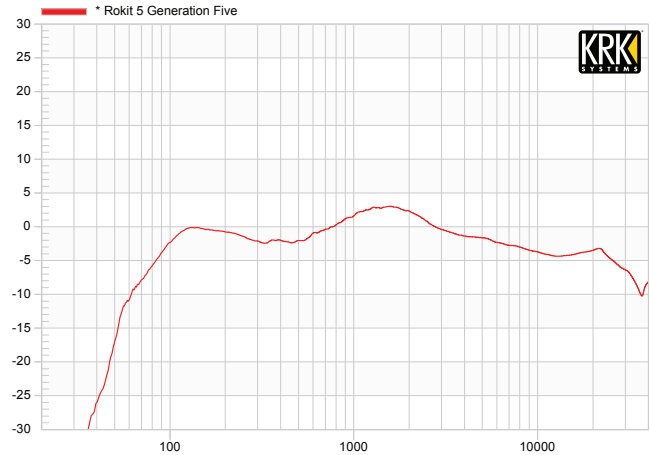
### Frequency Response MIX Mode



### Frequency Response CREATE Mode



### Frequency Response FOCUS Mode

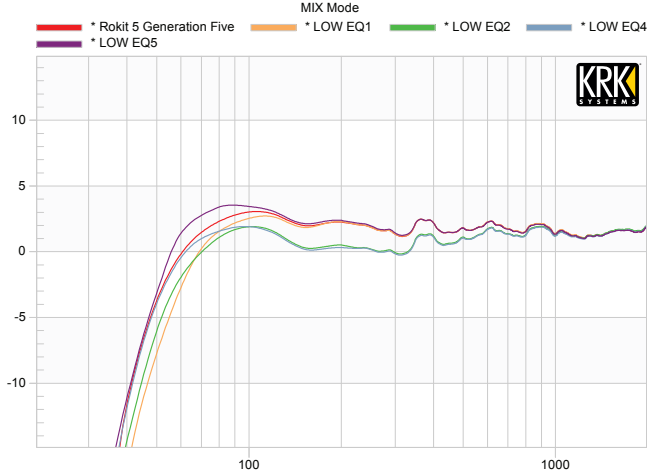


# ROKIT 5 GENERATION FIVE

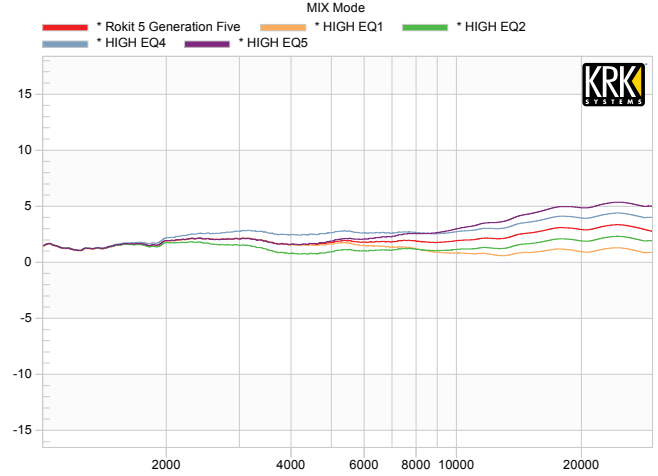
## SPECIFICATION DATA SHEET



Frequency Response

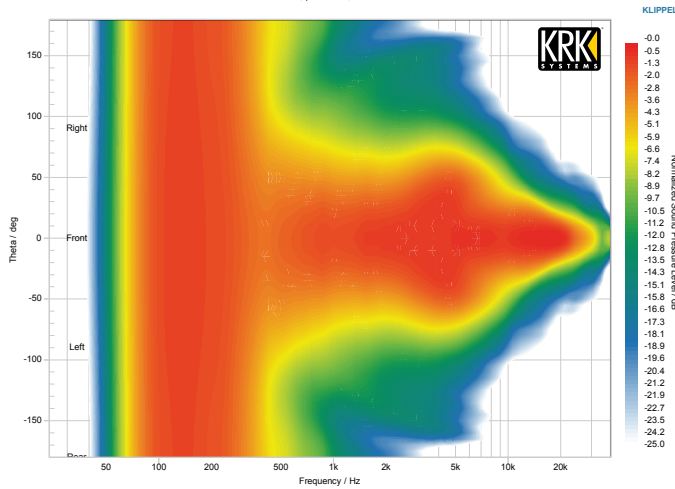


Frequency Response



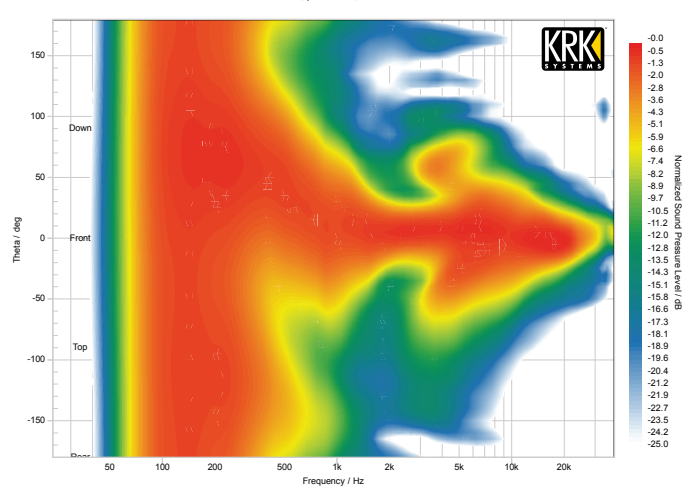
Contour Plot - Horizontal

r = 10°; m, phi = 90°; normalized to max



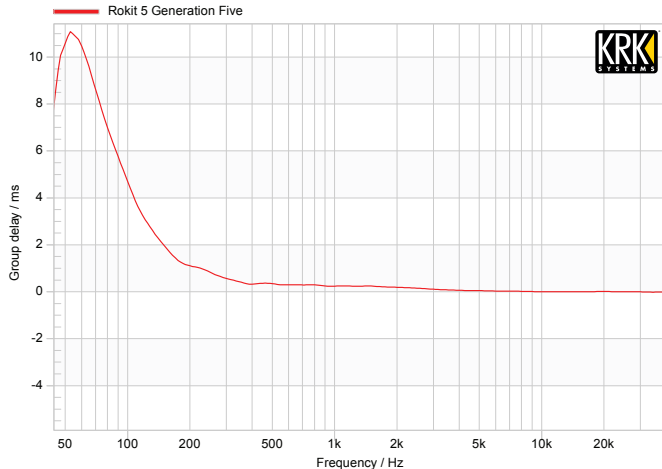
Contour Plot - Vertical

r = 10°; m, phi = 180°; normalized to max



Group Delay

MIX Mode

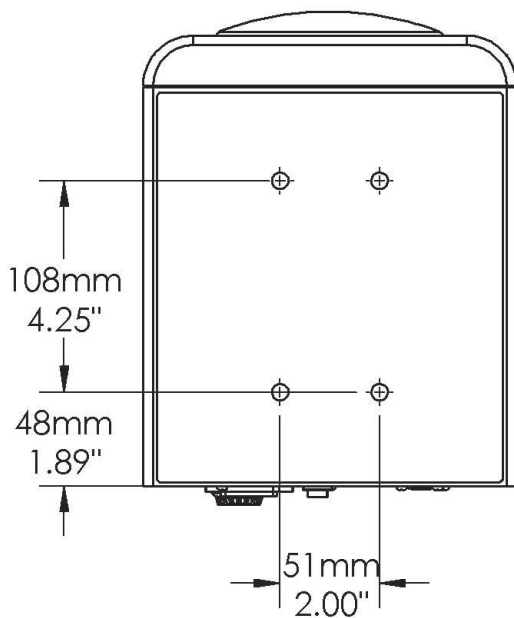
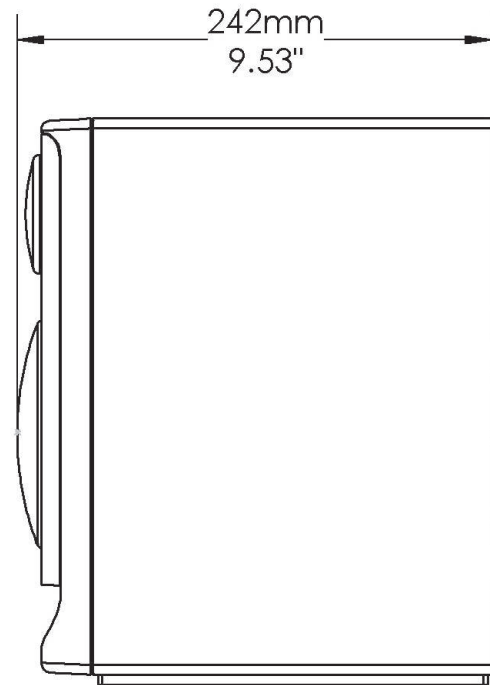
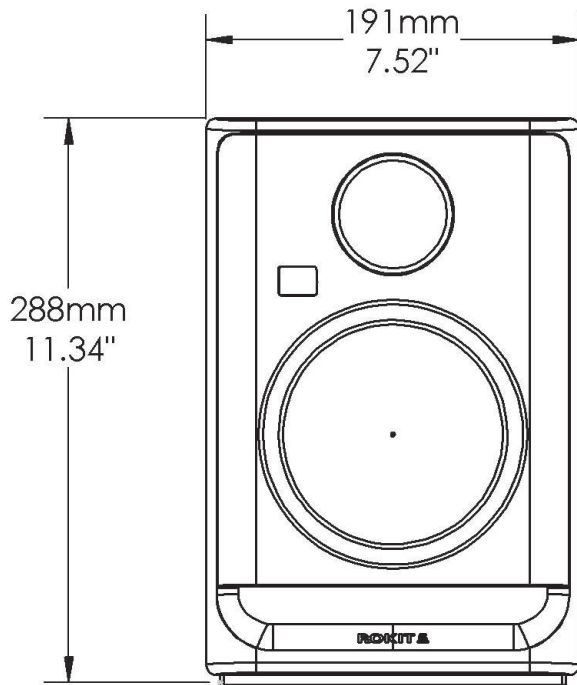


# ROKIT 5 GENERATION FIVE

## SPECIFICATION DATA SHEET



### DIMENSIONS



4 x M6 mounting points can be used with KRKSTD68W1 Mounting Bracket or KRKSTD4A1 35mm Mounting Adapter