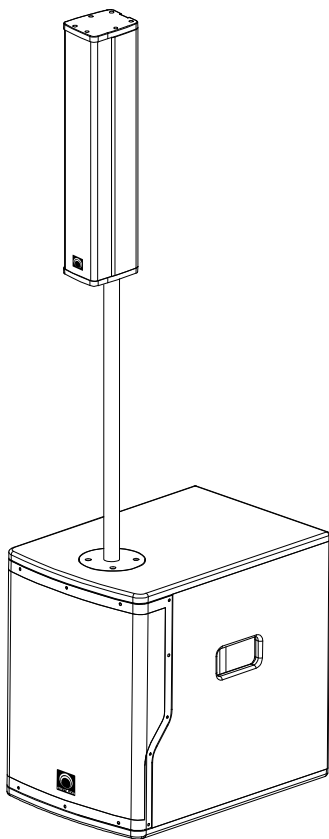




ACS-1000 SERIES



ACTIVE COLUMN SPEAKER SYSTEM

USER MANUAL

ACS-1000 SERIES

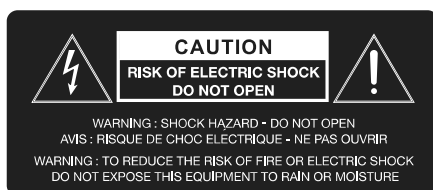
INTRODUCTION	1
CAUTION	2
FEATURE	3
PACKING LIST	4
PANEL DESCRIPTION SUBWOOFER / AMPLIFIER FUNCTION	5-6
CONNECTION BLUETOOTH	7-8
DISPERSION ANGLE	9
SPECIFICATIONS	10
TRADEMARK AND LICENSES	11

IMPORTANT SAFETY INSTRUCTIONS

1. Read these instructions.
2. Keep these instructions.
3. Heed all warnings.
4. Follow all instructions.
5. Do not use this apparatus near water.
6. Clean only with a dry cloth.
7. Do not block any ventilation openings. Install by the manufacturer's instructions.
8. Do not install near any heat sources such as radiators, heat registers, stoves, or other apparatus (including amplifiers) that produce heat.
9. Do not defeat the safety purpose of the polarized or grounding-type plug. A polarized plug has two blades one wider than the other. A grounding-type plug has two blades and a third grounding prong. The wide blade or the third prong is provided for your safety. If the provided plug does not fit into your outlet, consult an electrician for the replacement of the obsolete outlet.
10. Protect the power cord from being walked on or pinched particularly at plugs, convenience receptacles, and the point where they exit from the apparatus.
11. Only use attachments/accessories specified by the manufacturer.
12. Use only with the tripod sold with the apparatus.
13. Unplug this apparatus during lightning storms or when unused for long periods.
14. Refer all servicing to qualified service personnel. Servicing is required when the apparatus has been damaged in any way, such as power-supply cord or plug is damaged, liquid has been spilled or objects have fallen into the apparatus, the apparatus has been exposed to rain or moisture, does not operate normally, or has been dropped.

CAUTION!

To reduce the risk of electric shock, do not remove cover (or back). There are no user serviceable parts inside. Maintenance and repairs should be exclusively carried out by qualified service personnel.



The warning triangle with lightning symbol indicates dangerous uninsulated voltage inside the unit, which may cause an electrical shock.



The warning triangle with exclamation mark indicates important operating and maintenance instructions.

SYSTEM SETUP

1. Whenever possible, place the subwoofer in a corner of the room or along the wall. Place the satellites as necessary for the desired coverage and stereo image.
2. Confirm the voltage selector is in the correct position, then plug the AC cord into the nearest grounded (3 wire) outlet.
3. Connect the satellite speakers speakon output connectors located on the back of the subwoofer. Use speakon cables specifically designed for speakers.
4. Attach and/or connect a signal source.

INTRODUCTION

ACS-1000 SERIES Professional Active Column Speaker System which can cover the usage area from small to large Designed for hi-end professional sound performance especially for frequency response up to 42Hz ~ 20KHz -10dB, Power maximum 800Watts Amplifier Class D with DSP processor 5 Preset for optimum performance. High-quality audio streaming with Bluetooth TWS (True Wireless Stereo) Ideal for livesound concert, event, shopping mall, meeting room-training, fitness, restaurant, hotel banquet room.

This series includes ACS-1000S (SUBWOOFER), ACS-1000C (COLUMN SPEAKER)

FEATURE

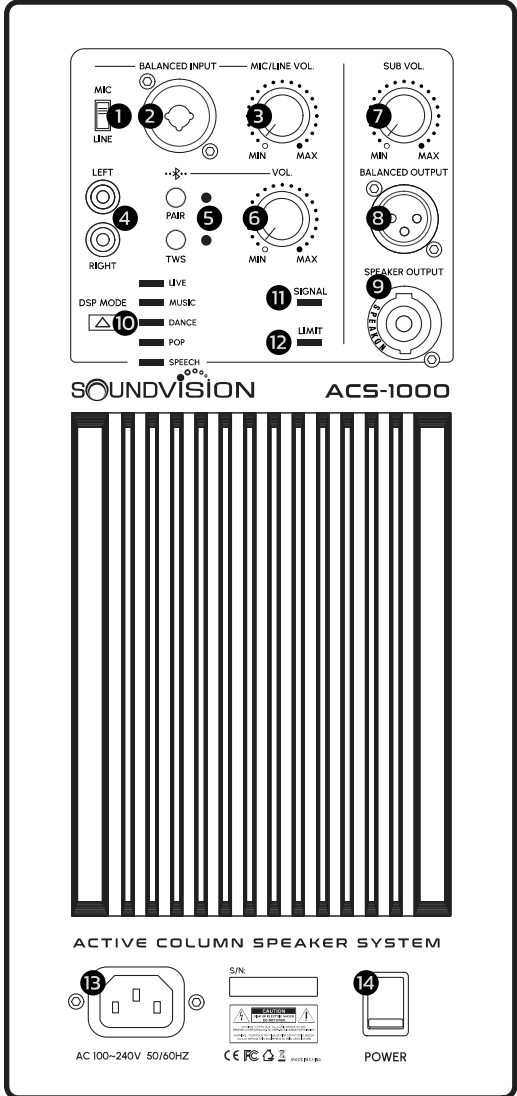
- Subwoofer Component: 10", 2" voice coil
- Satellite Components: 3" X 4 Full Range Speaker
- Frequency response: 42Hz~20KHz -10dB
- Max. SPL / (Peak): 118dB/125dB
- Power maximum 800Watts
- Built-in Amplifier Class D Bi-amp
- Built-in DSP Processor Mode: 5 modes (Live, Music, Dance, Pop, Speech)
- Built-in Media player:TWS Bluetooth 5.3 (True Wireless Stereo)
- Dispersion Angle (H x V): 80° x 20°
- Operating voltage AC 100 – 240V, 50/60Hz

PACKING LIST

Product box ACS-1000 Series

- ACS-1000S subwoofer x 1 pc.
 - Dimensions (H x W x D) : 445 x 320 x 465mm
 - Net Weight : 14.5 Kgs.
- ACS-1000C column speaker x 1 pc.
 - Dimensions (H x W x D) : 450 x 85 x 105 mm
 - Net Weight : 1.4 Kgs.
- Pole x 1 pc. (100cm Pole)
- Power con x 1 pc.
- Power cable x 1 pc.
- User manual x 1 book.

PANEL DESCRIPTION



PANEL DESCRIPTION (SUBWOOFER/AMPLIFIER FUNCTION)

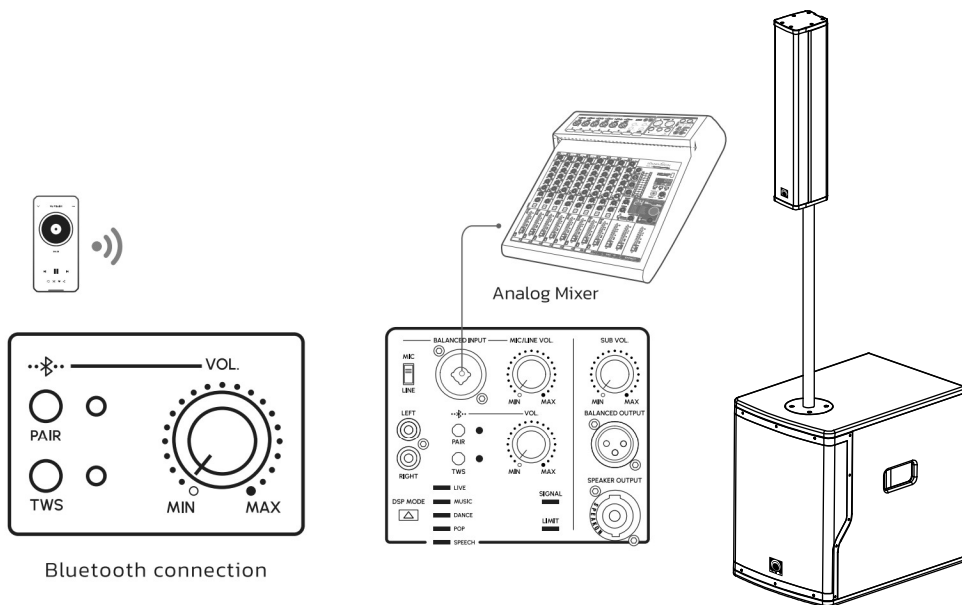
1. MIC/LINE SWITCH: Use the MIC position when a microphone is connected. Use the LINE position when a line-level source such as an audio mixing console, audio playback device, or electronic musical instrument is connected.
2. MIC/LINE INPUT: This balanced input accepts a standard XLR or 1/4" jack phone plug. A broad range of signals from microphones, audio mixing consoles, and electronic musical instruments may be connected here. The sensitivity of these inputs is controlled by the MIC/LINE switch.
3. VOLUME MIC/LINE CONTROL for MIC/LINE input.
4. LINE IN: Use RCA connector input.
5. BLUETOOTH PAIRING BUTTON : Bluetooth can be found automatically and be connected automatically from second time. If no connection, Bluetooth will be off automatically after 2 seconds. Start to Bluetooth pairing if press this button, then press again to play after connected, and cancel pairing if press this button two or three seconds. LED indicator the status: listing said connected already, slow flash indicates the music is playing, quick flash is means matching.
6. VOLUME BLUETOOTH: Control the volume for Bluetooth input.
7. VOLUME SUBWOOFER: Control the volume for subwoofer speaker.
8. OUTPUT: Use XLR connector for balanced or unbalanced.
9. SATELLITE SPEAKER OUTPUT: SPEAKON output connector to satellite.
10. DSP MODES: Use this button to toggle through the five different settings. 1.LIVE, 2.MUSIC, 3.DANCE, 4.POP, 5.SPEECH
11. SIGNAL INDICATOR : The LED lights up when signal input.
12. LIMIT INDICATOR : illuminated just before the sub amplifier begins to clip and distort.- Adjust the sub level control and signal level from your source so this illuminates only briefly on peaks in the music. Using the system with this on all or much of the time will result in poor sound quality and damage the speakers and electronics.
13. POWER SUPPLY INPUT Connector: Use with power con.
14. POWER SWITCH : Turns the system On and Off. Ensure the system volume control at minimum when switching on.

CONNECTION

BLUETOOTH PAIRING INSTRUCTIONS

1. Press and release the PAIR button to start Bluetooth, the blue STATUS light is flashing.
2. Search for "SOUNDVISION ACS-1000" on your device and connect. After the connection is successful, the STATUS light is always on.
3. Press the PAIR button again to exit the current connection.

Note: In the Bluetooth connection mode, press and hold the PAIR button for 2-3 seconds to turn off Bluetooth. Bluetooth will automatically turn off if no device is connected within 5 minutes. Successfully paired devices and speakers can be automatically connected for the second time.

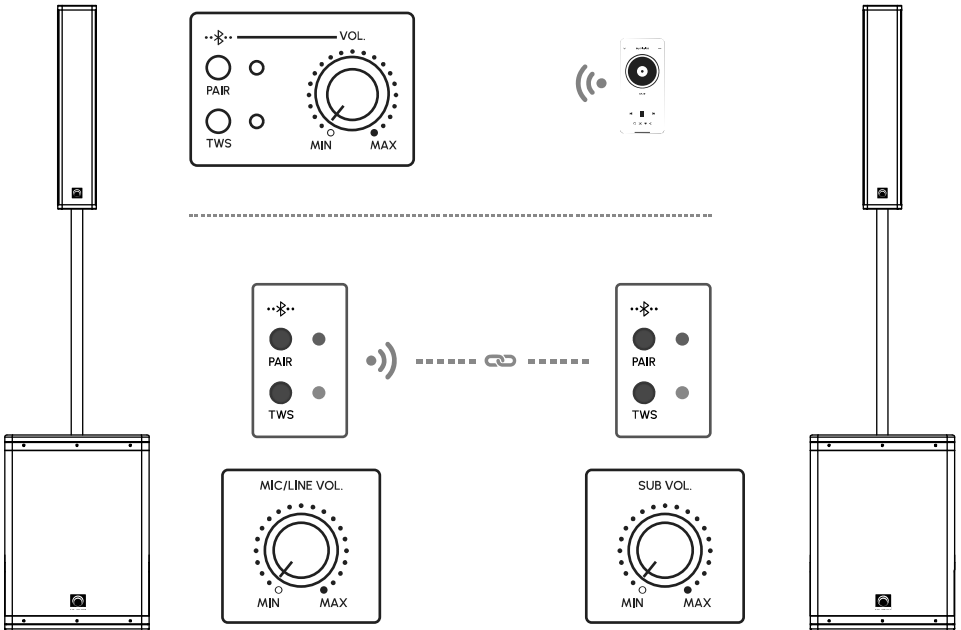


CONNECTION

STEREO BLUETOOTH CONNECTION

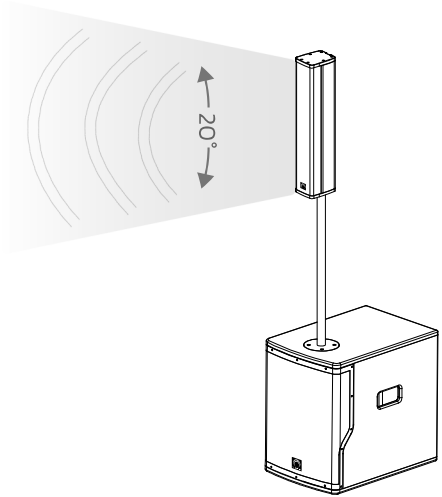
1. Put the two speakers close together, and press the TWS button on both speakers, the green STATUS light flashes.
2. After the two speakers are successfully linked, the green STATUS light is always on.
3. Press the PAIR button on the speaker whose blue STATUS light is on, and then you can start the Bluetooth connection.
4. Search for "SOUNDVISION ACS-1000" on your device and connect.

Note: When pairing two speakers, try to place the two speakers close together. After the pairing is successful, they can be placed separately. The distance should preferably not exceed 5 meters. The speakers that have been paired successfully will be automatically paired from second time.

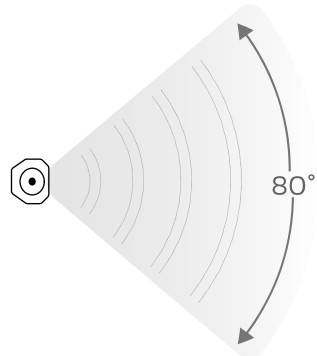
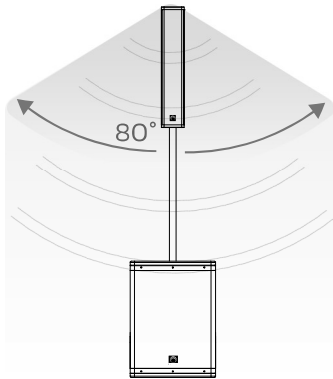


VERTICAL AND HORIZONTAL DISPERSION ANGLES

Vertical Alignment column Vertical directivity is around 20°



Horizontal Alignment column horizontal directivity is around 80°



You'll get the best sound and coverage when all connected components project at the same angle.

ACS-1000 SERIES ACTIVE COLUMN SPEAKER SYSTEM

SPECIFICATIONS

MODEL	ACS-1000S (Subwoofer)	ACS-1000C (Column)
Transducer	Subwoofer Components: 10", 2" voice coil	3"x 4 Neodymium Full Range Speaker
Frequency Response	42Hz~150Hz (-10dB)	150Hz~20KHz (-10dB)
Rated Power	200W / 400W (MAX)	200W / 400W (MAX)
Amplifier	Class D Bi-amp	
Sensitivity	90dB 1m/1W	92dB 1m/1W
Maximum SPL	118dB / 125dB(Peak)	118dB / 125dB(Peak)
Nominal Impedance	4 Ω	4 Ω
Dispersion Angle (H x V)		80°X 20°
Built-in DSP Processor	5 modes (Live, Music, Dance, Pop, Speech)	
Audio Streaming Wireless	TWS Bluetooth 5.3 (True Wireless Stereo)	
Connection		
Line Input	1 x Combo XLR or 1/4" Jack (Female)	
	1 x RCA(L/R) 3.5mm	
Line Output	1 x XLR (Male)	
Speaker Port	1 x Speakon (Output)	1 x Speakon (Input)
General		
Operating voltage	AC 100 – 240V 50Hz/60Hz	
Power consumption (IEC)	100W	
Dimensions (H x W x D)	445 x 320 x 465mm	450 x 85 x 105 mm
Net Weight	14.5kgs.	1.4 kgs.

NOTE: SOUNDVISION products are subject to a process of continuous development. Specifications are subject to change without notice.

* Bluetooth range is affected by walls, obstructions, and movement. For optimal performance, place the product in the center of the room so it is unobstructed by walls, furniture, etc.

TRADEMARK AND LICENSES



SOUNDVISION™ is a trademark of SOUND VISION CO., LTD. registered in the Thailand,China,Laos and other countries. Names are trademarks or registered trademarks of their respective owners.

SOUND VISION CO., LTD.

9 Chaiyaphruek Rd.,Taling Chan,Taling Chan,
Bangkok 10170 Thailand

Support : 02-433-9988 LINE Official : @soundvisionpro

Email : info@soundvision.co.th www.soundvisionpro.com



SOUNDVISION™