



Wharfedale Pro

Your full user manual can also be downloaded from www.wharfedalepro.com

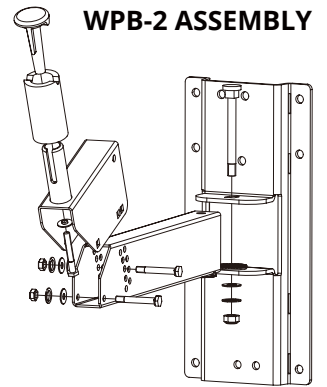
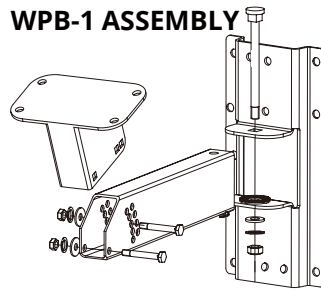
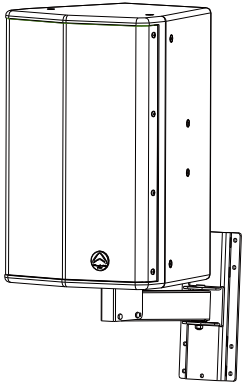
SIGMA-X8 / X10 / X12 / X15 QUICK START GUIDE

Specifications

Model Name	SIGMA-X8	SIGMA-X10	SIGMA-X12	SIGMA-X15
System Type	Passive	Passive	Passive	Passive
Configuration	Two-Way	Two-Way	Two-Way	Two-Way
Frequency Response (+/-3 dB)	70 Hz - 18 KHz	65 Hz - 18 KHz	60 Hz - 18 KHz	50 Hz - 18 KHz
Frequency Range (-10 dB)	65 Hz - 20 KHz	60 Hz - 20 KHz	55 Hz - 20 KHz	45 Hz - 20 KHz
Sensitivity 2.83 V / 1 m	96 dB	97 dB	98 dB	98 dB
Calculated Maximum SPL @1 m	124 dB	126 dB	129 dB	129 dB
System Rated Impedance	8 Ω	8 Ω	8 Ω	8 Ω
Low Frequency Transducer				
Size (mm / inches)	203 mm / 8"	254 mm / 10"	305 mm / 12"	381 mm / 15"
Voice Coil Size (mm / inches)	38 mm / 1.5"	38 mm / 1.5"	64 mm / 2.5"	64 mm / 2.5"
Rated Impedance	8 Ω	8 Ω	8 Ω	8 Ω
LF Power re:AES2-2012	150 W	200 W	300 W	350 W
High Frequency Transducer				
HF Driver Type	Compression Driver	Compression Driver	Compression Driver	Compression Driver
Coil Size (mm / inches)	44 mm / 1.75"	44 mm / 1.75"	44 mm / 1.75"	44 mm / 1.75"
Exit Size (mm / inches)	1"	1"	1"	1"
Diaphragm Material	Titanium	Titanium	Titanium	Titanium
Rated Impedance	8 Ω	8 Ω	8 Ω	8 Ω
HF Power re:AES2-2012	40 W	40 W	40 W	40 W
Waveguide Type	Constant Directivity / Rotatable	Constant Directivity / Rotatable	Constant Directivity / Rotatable	Constant Directivity / Rotatable
Nominal Coverage (H x V)	90° x 60°	90° x 60°	90° x 60°	90° x 60°
LF Driver	1 x 8"	1 x 10"	1 x 12"	1 x 15"
HF Driver	1 x 1.75" Titanium Compression Driver	1 x 1.75" Titanium Compression Driver	1 x 1.75" Titanium Compression Driver	1 x 1.75" Titanium Compression Driver
Power				
System Continuous Power	150 W	200 W	300 W	350 W
System Programme Power	300 W	400 W	600 W	700 W
System Peak Power	600 W	800 W	1200 W	1400 W
Crossover frequency	2.8 KHz	2.4 KHz	2.2 KHz	2.2 KHz
Recommended HPF = BW 18 dB/oct.	55 Hz	45 Hz	38 Hz	33 Hz
Input Connector	2 x speakON / 1x Barrier Strip	2 x speakON / 1x Barrier Strip	2 x speakON / 1x Barrier Strip	2 x speakON / 1x Barrier Strip
Hardware	35 mm pole socket	Dual-angle (0° / 10°) 35 mm socket	Dual-angle (0° / 10°) 35 mm socket	Dual-angle (0° / 10°) 35 mm socket
	M8 x 17	M8 x 17	M8 x 17	M8 x 17
	1 handle on back	1 handle on back	1 handle on back	2 handles on sides
Enclosure				
Enclosure Material	15 mm MDF	15 mm MDF	15 mm MDF	15 mm MDF
Finish	Black Paint / White Paint	Black Paint / White Paint	Black Paint / White Paint	Black Paint / White Paint
Grille Material & Finish	1.2 mm steel, painted	1.2 mm steel, painted	1.2 mm steel, painted	1.2 mm steel, painted
Dimensions - Unpacked				
Height	465 mm / 18.3"	520 mm / 20.5"	551 mm / 21.7"	650 mm / 25.6"
Width Front	284 mm / 11.2"	338 mm / 13.3"	354 mm / 14"	435 mm / 17"
Width Rear	176 mm / 6.9"	213 mm / 8.4"	218 mm / 8"	261 mm / 11.7"
Depth	282.7 mm / 11.1"	338.3 mm / 13.3"	359 mm / 14"	439 mm / 17.25"
Dimensions - Packed				
Height	505 mm / 19.9"	585 mm / 23"	616 mm / 24.3"	715 mm / 28.1"
Width Front	364 mm / 14.3"	441 mm / 17.3"	468 mm / 18.4"	553 mm / 21.75"
Width Rear	214.4 mm / 8.43"	251 mm / 9.9"	260 mm / 10.2"	304 mm / 12"
Depth	333 mm / 13.1"	389 mm / 15.3"	404 mm / 15.9"	488 mm / 19.2"
Weight				
Net Weight	12.2 kg / 26.8 lbs	17.1 kg / 37.62 lbs	19.1 kg / 42.02 lbs	24.4 kg / 53.7 lbs
Gross Weight	13.5 kg / 29.7 lbs	18.8 kg / 41.4 lbs	20.74 kg / 48.2 lbs	27.7 kg / 60.9 lbs
Optional Wall-mount bracket	WPB-1 / WPB-2	WPB-1 / WPB-2	WPB-1 / WPB-2	WPB-1 / WPB-2

Note : Specifications may be subject to change without notice.

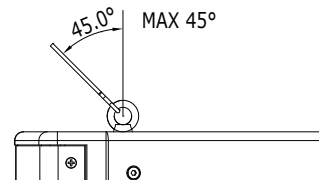
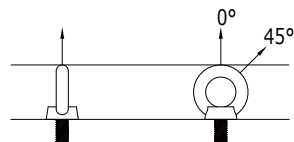
SIGMA-X Series Optional Mounting Hardware



SIGMA-X8, X10, X12 and X15 can use the optional WPB-1 or WPB-2 wall bracket

SIGMA-X Series Rigging

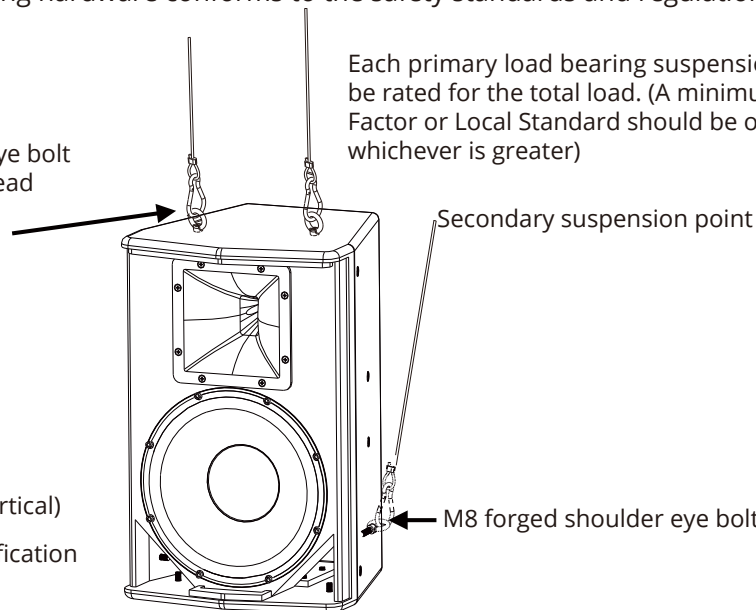
- Any installation should be inspected at regularly. Wear and corrosion may lead to deterioration.
- Always ensure that the suspension wires and mounting hardware are strong enough to support the weight of the speaker / s.
- Always ensure rigging hardware (eye bolts / suspension wires) conform to the safety standards and regulations in your area.
- For long term installation use a thread-locking compound.
- Do not attempt to bend or otherwise deform any rigging hardware.
- Never exceed 45 degrees from a right angle with suspension wires
- Wharfedale Pro cannot be held responsible for injury or damage caused by improper installation.



SIGMA-X series can use M8 forged shoulder eye bolt ONLY. Be aware that lifting eye bolts at an angle reduces the safe load. Always ensure the rigging hardware conforms to the safety standards and regulations in your area.

M8 forged shoulder eye bolt
(User supplied, overhead suspension rated and certified)

Each primary load bearing suspension point shall be rated for the total load. (A minimum 5:1 Design Factor or Local Standard should be observed - whichever is greater)



Working load limits:
No more than four (4) high (vertical)

The four (4) high vertical specification represents a static ratio of 7:1

WHARFEDALE PRO LIMITED WARRANTY

Wharfedale Pro products are warranted of manufacturing or material defects for a period of three years from the original date of purchase. In the event of malfunction, contact your authorised Wharfedale Pro dealer or distributor for information.

Please be aware that the warranty details may differ from country to country. Contact your dealer or distributor for information (available at www.wharfedalepro.com). These terms do not infringe your statutory rights.



WHARFEDALE PROFESSIONAL

IAG House, 13/14 Glebe Road, Huntingdon, Cambridgeshire, PE29 7DL, UK

www.wharfedalepro.com

Wharfedale Professional reserves the right to alter or improve specifications without notice.

All rights reserved © 2022 Wharfedale Pro. Wharfedale Pro is a member of the IAG Group.